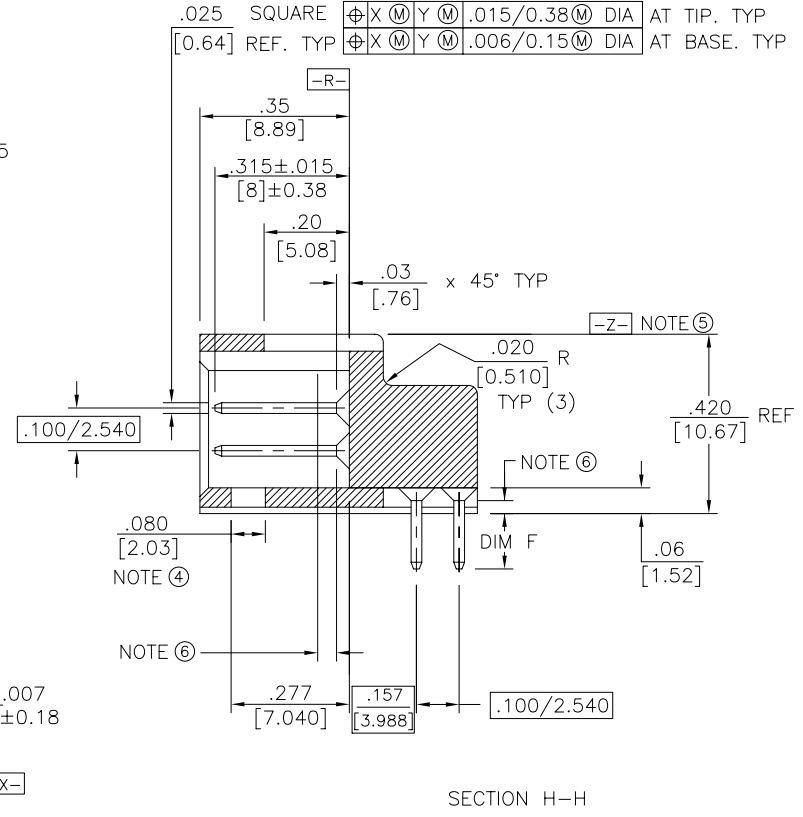
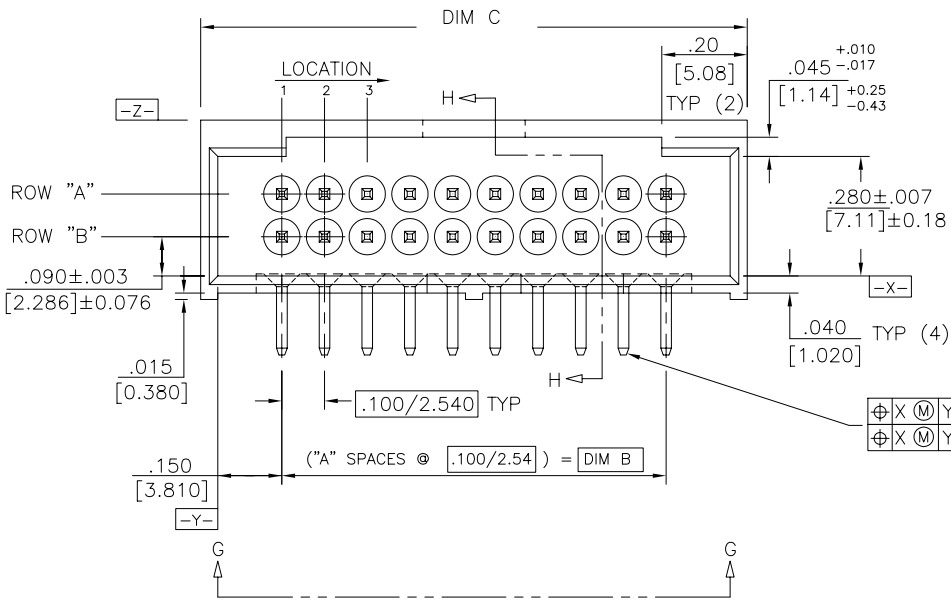
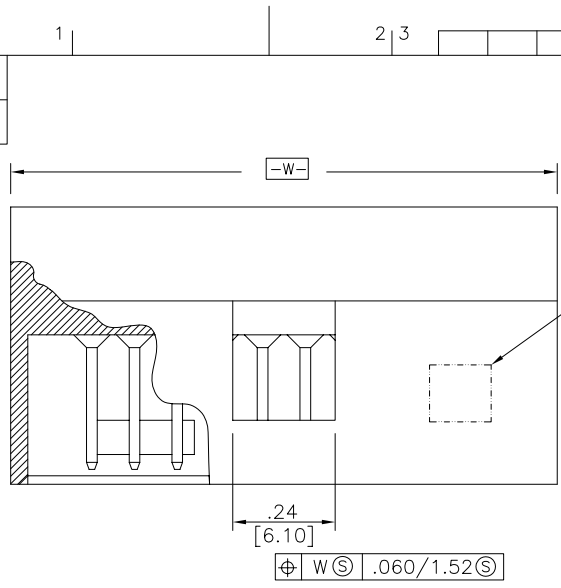




FCIconnect.com

Copyright FCI

PRODUCT NUMBER
SEE TABLE

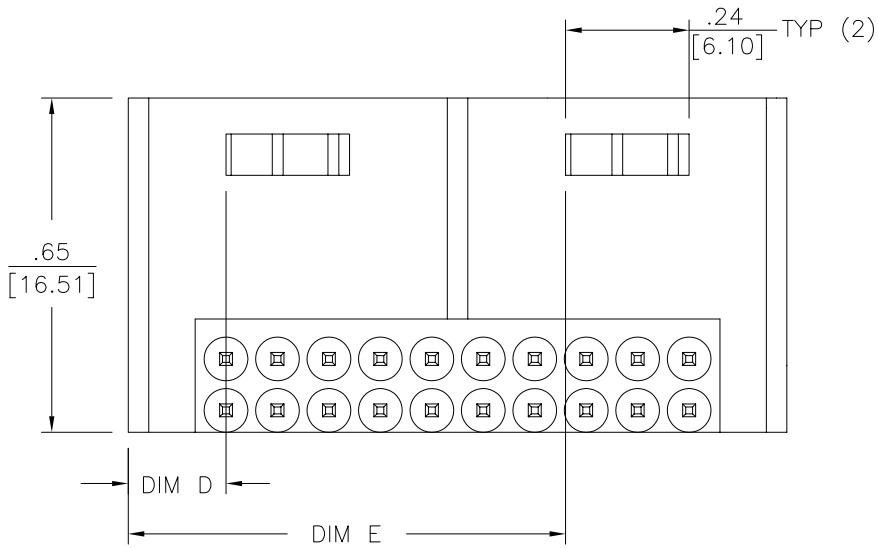


$\text{Ø} X \text{ (M)} Y \text{ (M)} .015/0.38 \text{ (M)} \text{ DIA}$ AT TIP. TYP
 $\text{Ø} X \text{ (M)} Y \text{ (M)} .006/0.15 \text{ (M)} \text{ DIA}$ AT BASE. TYP

mat'l. code		surface ISO 1302 <input checked="" type="checkbox"/>		tolerance ISO 406 ISO 1101		projection		product family HEADERS	
ltr		ecn no dr		date		tolerances unless otherwise specified		title	
A		APPROVED		JRL		4/3/85		RIGHT ANGLE HEADER FOR	
B		ADD INF		EBY		10/16/85		FLAT CABLE RECEPTACLE	
C		M05-0204		MHT		11/09/05		scale 8:1	
D		N07-0150		MHT		8/01/07		dwg no sheet 1 of 4 size	
				dr		COPENHEAVED 7/10/84		68645 A3	
				enr		P.M. SMITH 4/10/85		type Product Customer Drawing	
				chr		-			
				appd		CA WILLIAMS 4/12/85			
sheet index		revision sheet		D D D D		D D D D			
		1 2		3 4		5 6			

form: A3

PRODUCT NUMBER
SEE TABLE



VIEW G-G

NOTES:

1. TERMINAL MAT'L: 3/4 HARD PHOS. BRONZE ALLOY UNS-C51000.
2. PLATING; 0.76 μ /30 μ "A μ OR GTX OVER 1.27 μ /50 μ "N1.
3. MOLDING MAT'L: GLASS FILLED POLYESTER. FLAME RETARDANT PER UL94V-0. COLOR BLACK
- ④ .02/0.51 MAX FLASH AROUND ALL WINDOWS.
- ⑤ FCI LOGO MOLDED IN ON DATUM SURFACE -Z- APPROXIMATELY AS SHOWN.
- ⑥ .03/.76 MAX FLASH PERMISSIBLE ON PINS BOTH ENDS.
7. PLATING OPTIONS:
MAY BE EITHER GOLD OR GXT PLATED AT MANUFACTURER'S OPTION.
8. OTHER PLATINGS ARE AVAILABLE ON 68420, 68646 AND 68647.
- ⑨ ADD "LF" AT THE END OF PART NUMBER FOR LEAD FREE OPTION.
- ⑩ THIS PRODUCT MEETS EUROPEAN UNION DIRECTIVES AND OTHER COUNTRY REGULATION AS DESCRIBED IN GS-22-008
11. THE HOUSING WILL WITHSTAND EXPOSURE TO 260°C PEAK TEMPERATURE FOR 15 SECONDS IN A WAVE SOLDER APPLICATION WITH A 1.5mm MINIMUM THICK CIRCUIT BOARD. SEE APPLICATION NOTES/PROCEDURES IF THEY ARE AVAILABLE.



Copyright FCI

mat'l. code		surface ISO 1302 <input checked="" type="checkbox"/>		tolerance ISO 406 ISO 1101		projection 		product family HEADERS	
ltr		ecn no		dr		date		title	
D								RIGHT ANGLE HEADER FOR FLAT CABLE RECEPTACLE	
		angles		linear		INCH/MM		scale 8:1	
		0°±2'						dwg no	
				dr		7/10/84		sheet 2 of 4 size	
				enr		4/10/85		68645	
				chr				A3	
				appd		4/12/85		type Product Customer Drawing	
sheet index		revision sheet							

PRODUCT No. NOTE 9,10	No. OF POS.	"A" SPACES	DIM B	DIM C	DIM D	DIM E	DIM F
68645-001	6	2	.200/5.080	.500/12.700	.150/3.810	————	.130/3.300
-002	8	3	.300/7.620	.600/15.240	.150/3.810	————	.130/3.300
-003	10	4	.400/10.160	.700/17.780	.250/6.350	————	.130/3.300
-004	12	5	.500/12.700	.800/20.320	.250/6.350	————	.130/3.300
-005	14	6	.600/15.240	.900/22.860	.350/8.890	————	.130/3.300
-006	16	7	.700/17.780	1.000/25.400	.350/8.890	————	.130/3.300
-007	18	8	.800/20.320	1.100/27.940	.450/11.430	————	.130/3.300
-008	20	9	.900/22.860	1.200/30.480	.150/3.810	.850/21.590	.130/3.300
-009	22	10	1.000/25.400	1.300/33.020	.150/3.810	.950/24.130	.130/3.300
-010	24	11	1.100/27.940	1.400/35.560	.150/3.810	1.050/26.670	.130/3.300
-011	26	12	1.200/30.480	1.500/38.100	.150/3.810	1.150/29.210	.130/3.300
-012	28	13	1.300/33.020	1.600/40.640	.150/3.810	1.250/31.750	.130/3.300
-013	30	14	1.400/35.560	1.700/43.180	.150/3.810	1.350/34.290	.130/3.300
-014	32	15	1.500/38.100	1.800/45.720	.150/3.810	1.450/36.830	.130/3.300
-015	34	16	1.600/40.640	1.900/48.260	.150/3.810	1.550/39.370	.130/3.300
-016	36	17	1.700/43.180	2.000/50.800	.150/3.810	1.650/41.910	.130/3.300
-017	38	18	1.800/45.720	2.100/53.340	.150/3.810	1.750/44.450	.130/3.300
-018	40	19	1.900/48.260	2.200/55.880	.150/3.810	1.850/46.990	.130/3.300
-019	42	20	2.000/50.800	2.300/58.420	.150/3.810	1.950/49.530	.130/3.300
-020	44	21	2.100/53.340	2.400/60.960	.150/3.810	2.050/52.070	.130/3.300
-021	46	22	2.200/55.880	2.500/63.500	.150/3.810	2.150/54.610	.130/3.300
-022	48	23	2.300/58.420	2.600/66.040	.150/3.810	2.250/57.150	.130/3.300
-023	50	24	2.400/60.960	2.700/68.580	.150/3.810	2.350/59.690	.130/3.300
-024	52	25	2.500/63.500	2.800/71.120	.150/3.810	2.450/62.230	.130/3.300
-025	54	26	2.600/66.040	2.900/73.660	.150/3.810	2.550/64.770	.130/3.300
-026	56	27	2.700/68.580	3.000/76.200	.150/3.810	2.650/67.310	.130/3.300
-027	58	28	2.800/71.120	3.100/78.740	.150/3.810	2.750/69.850	.130/3.300
-028	60	29	2.900/73.660	3.200/81.280	.150/3.810	2.850/72.390	.130/3.300
-029	62	30	3.000/76.200	3.300/83.820	.150/3.810	2.950/74.930	.130/3.300
68645-030	64	31	3.100/78.740	3.400/86.360	.150/3.810	3.050/77.470	.130/3.300



Copyright FCI

mat'l. code		surface ISO 1302 <input checked="" type="checkbox"/> dr		tolerance ISO 406 ISO 1101		projection 		product family HEADERS	
ltr		ecn no		date		tolerances unless otherwise specified		title	
D						angles linear .XX±.01/XX±0.3 .XXX±.005/XX±0.13 .XXXX±.0020/XXX±0.051		INCH/MM scale 8:1	
						dr COPENHEAVED 7/10/84 engr P.M. SMITH 4/10/85 chr - appd CA WILLIAMS 4/12/85		dwg no sheet 3 of 4 size 68645 A3	
sheet index		revision sheet						type Product Customer Drawing	



PRODUCT No. NOTE 9,10	No. OF POS.	"A" SPACES	DIM B	DIM C	DIM D	DIM E	DIM F
68645-031	66	32	3.200/81.280	3.500/88.900	.150/3.810	3.150/80.010	.130/3.300
↑ -032	68	33	3.300/83.820	3.600/91.440	.150/3.810	3.250/82.550	.130/3.300
-033	70	34	3.400/86.360	3.700/93.980	.150/3.810	3.350/85.090	.130/3.300
-034	72	35	3.500/88.900	3.800/96.520	.150/3.810	3.450/87.630	.130/3.300
-035	16	7	.700/17.780	1.000/25.400	.350/8.890	—	.155/3.940
-036	40	19	1.900/48.260	2.200/55.880	.150/3.810	1.850/46.990	.155/3.940
↓ -037	50	24	2.400/60.960	2.700/68.580	.150/3.810	2.350/59.690	.155/3.940
68645-038	I N A C T I V E						



Copyright FCI

mat'l. code		surface ISO 1302 <input checked="" type="checkbox"/>		tolerance ISO 406 ISO 1101		projection 		product family HEADERS	
ltr	ecn no	dr	date	tolerances unless otherwise specified		INCH/MM		title	
D				angles	linear	.XX±.01/XX±0.3 .XXX±.005/XX±0.13 .XXXX±.0020/XXX±0.051		RIGHT ANGLE HEADER FOR FLAT CABLE RECEPTACLE	
				0'±2'		scale 8:1		dwg no sheet 4 of 4 size	
				dr	COPENHEAVED	7/10/84		68645 A3	
				enr	P.M. SMITH	4/10/85		type Product Customer Drawing	
				chr	-	-			
				appd	CA WILLIAMS	4/12/85			
sheet index	revision sheet								

form: A3 1 2 3 4 5 6